

XO5019 Series

2x2 inch, 12.0 Volt, CMOS/Sinewave, OCXO



THIS PRODUCT IS NOT RECOMMENDED FOR NEW DESIGNS.

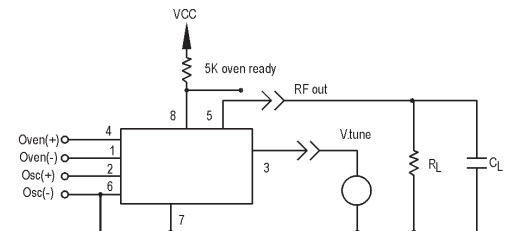
- Low aging and phase noise
- External or voltage control

Model	Frequency (MHz)	Temperature Range (°C)	Temperature Stability	Aging First Year	Output	Supply Voltage
SC-Cut	10	-20 to +70	$\pm 1.0 \times 10^{-8}$	$\pm 1.5 \times 10^{-7}$	Sinewave	+15 Vdc oven (+12 Vdc osc)
AT-Cut	10	-20 to +70	$\pm 5.0 \times 10^{-8}$	$\pm 2.0 \times 10^{-7}$	Sinewave	+15 Vdc oven (+12 Vdc osc)
Options	5 to 15	See Table		Consult Factory	TTL/CMOS	+10 Vdc to 24 Vdc

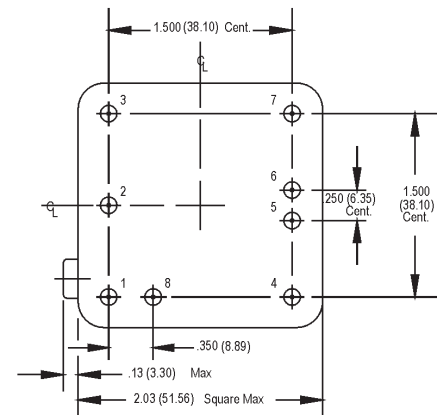
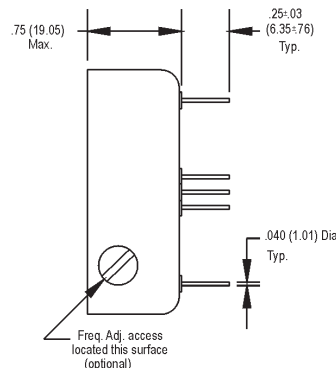
PARAMETER	SC-cut	AT-cut
	Frequency Range	10 MHz
Temperature Range	-20°C to +70°C	
Temperature Stability	$\pm 1.0 \times 10^{-8}$	$\pm 5.0 \times 10^{-8}$
Supply Voltage	+15 Vdc oven (+12 Vdc osc)	
Aging Over 1 Year	$\pm 1.5 \times 10^{-7}$	$\pm 2.0 \times 10^{-7}$
Aging Per Day	$\pm 5.0 \times 10^{-10}$	
Turn On	600 mA max	
Current	300 mA max @ 25°C steady state	
Warm-up Time @ 25°C	To within ± 0.10 ppm of Fo in 2.5 min, ± 0.01 ppm in 5 min	
Load Stability	$\pm 1.0 \times 10^{-9}$	
Aging Adjustment	External 10 k pot/voltage	
Voltage Range	0.5 V to 10 V	
Deviation	$\pm 3.0 \times 10^{-7}$	
Slope	Positive	
Phase Noise		
1 Hz	-90 dBc/Hz	-75 dBc/Hz
10 Hz	-120 dBc/Hz	-110 dBc/Hz
100 Hz	-145 dBc/Hz	-140 dBc/Hz
1 kHz	-155 dBc/Hz	-155 dBc/Hz
10 kHz	-160 dBc/Hz	-160 dBc/Hz
<u>Sinewave Version</u>		
Spurious	-75 dBc max	
Harmonics	-20 dBc max	
Load	50 Ω to 3 k Ω	
Output Level	+7 dBm min into 50 Ω	
<u>HCMOS Version</u>		
Duty Cycle	40/60	
Load	2 Gates	

Temperature Range (°C)	Stability Limits	
	SC-cut	AT-cut
0 to +50	$\pm 2.0 \times 10^{-9}$	$\pm 1.0 \times 10^{-8}$
0 to +70	$\pm 3.0 \times 10^{-9}$	$\pm 3.0 \times 10^{-8}$
-10 to +70	$\pm 4.0 \times 10^{-9}$	$\pm 3.0 \times 10^{-8}$
-30 to +70	$\pm 5.0 \times 10^{-9}$	$\pm 5.0 \times 10^{-8}$
-40 to +70	$\pm 7.0 \times 10^{-9}$	$\pm 1.0 \times 10^{-7}$
-55 to +70	$\pm 3.0 \times 10^{-9}$	$\pm 5.0 \times 10^{-7}$

Electrical Specifications



- Dimensions are in inches (mm)
- | Pin connections |
|-----------------------------------|
| 1. Oven supply return |
| 2. Oscillator Supply (+) |
| 3. Frequency Adjust |
| 4. Oven supply(+) |
| 5. RF output |
| 6. RF ground & Osc. supply return |
| 7. Case ground |
| 8. Oven Ready (Optional) |
- Pin numbers shown for ref. only. Numbers are not marked on unit.



MtronPTI reserves the right to make changes to the product(s) and service(s) described herein without notice. No liability is assumed as a result of their use or application.

Please see www.mtronpti.com for our complete offering and detailed datasheets. Contact us for your application specific requirements: MtronPTI 1-800-762-8800.